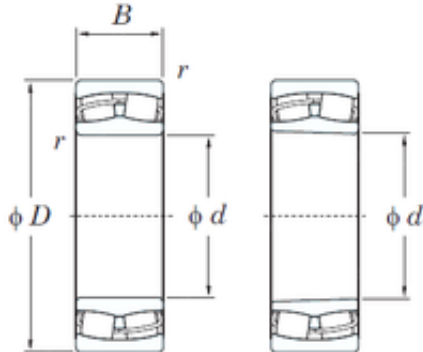


## 24124RHK30 KOYO Spherical Roller Bearings



Bearing No. 24124RHK30

Size	120x200x80 mm
Bore Diameter	120 mm
Outer Diameter	200 mm
Width	80 mm
d	120 mm
D	200 mm
B	80 mm
C	80 mm
r min.	2 mm
da min.	130 mm
Da max.	190 mm
ra max.	2 mm
Weight	10 Kg
Basic dynamic load rating (C)	605 kN
Basic static load rating (C0)	1020 kN
(Grease) Lubrication Speed	1600 r/min
(Oil) Lubrication Speed	2200 r/min
Calculation factor (e)	0,38
Calculation factor (Y0)	1,72
Calculation factor (Y1)	1,75

24124RHK30 Bearing 2D drawings and 3D CAD models